

No. 34,281.

DESIGN.

Patented Mar. 26, 1901.

C. PHELPS.
PIPE MAIN FITTING.
(Application filed Dec. 3, 1900.)

Fig. 1.

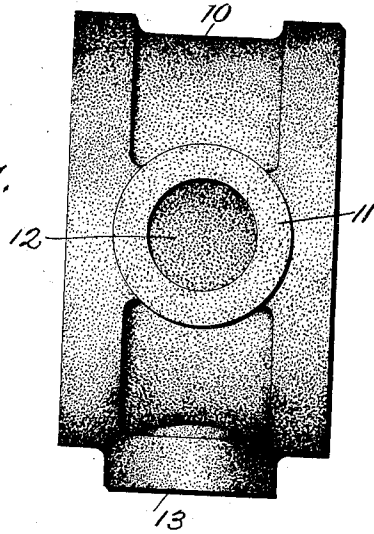


Fig. 2.

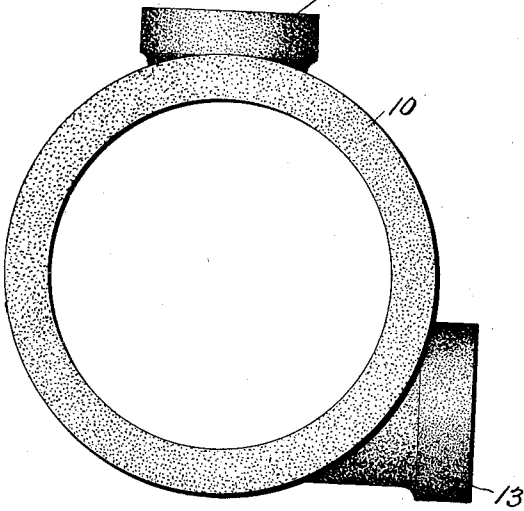
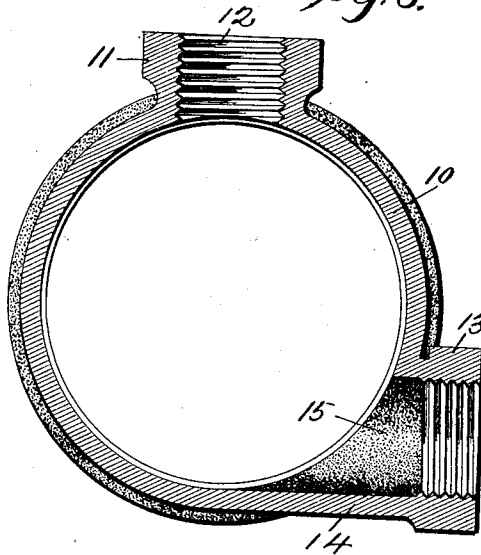


Fig. 3.



Witnesses:
W. S. Orwig.
W. R. Lane

Inventor *Charles Phelps.*
by *J. Ralph Orwig.* *Atty*

UNITED STATES PATENT OFFICE.

CHARLES PHELPS, OF OSKALOOSA, IOWA.

DESIGN FOR A PIPE-MAIN FITTING.

SPECIFICATION forming part of Design No. 34,281, dated March 26, 1901.

Application filed December 3, 1900. Serial No. 38,579. Term of patent 14 years.

To all whom it may concern:

Be it known that I, CHARLES PHELPS, a citizen of the United States, residing at Oskaloosa, in the county of Mahaska and State of Iowa, have invented and produced a new and original Design for Pipe-Main Fittings, of which the following is a specification, reference being had to the accompanying drawings, forming part hereof.

Figure 1 shows a top or plan view of the complete design. Fig. 2 shows an end elevation of same, and Fig. 3 shows a central vertical transverse section.

The leading or material feature of my design comprises a cylindrically-shaped body portion 10, open at both ends. At the top of the body portion is an upwardly-projecting cylindrical extension 11, said cylindrical extension being of less diameter than the length of the body portion 10 and projecting straight upwardly from the central portion. A cen-

tral opening 12 extends through this part 11. On one side of the body portion is an extension 13, arranged on a line through the vertical transverse center of the body portion, and having its lower portion at 14 flush with the bottom of the cylinder or body portion 10, and having its central portion arranged below the transverse center of the body portion 10. A central horizontal opening 15 passes through said extension 13, and its bottom portion is on a level with the interior bottom portion of the part 10.

Having thus described my invention, what I claim as new, and desire to secure by Letters Patent of the United States therefor, is—

The design for a pipe-main fitting, substantially as herein shown and described.

CHARLES PHELPS.

Witnesses:

J. RALPH ORWIG,
W. R. LANE.