

**CAST IRON RADIATORS.**

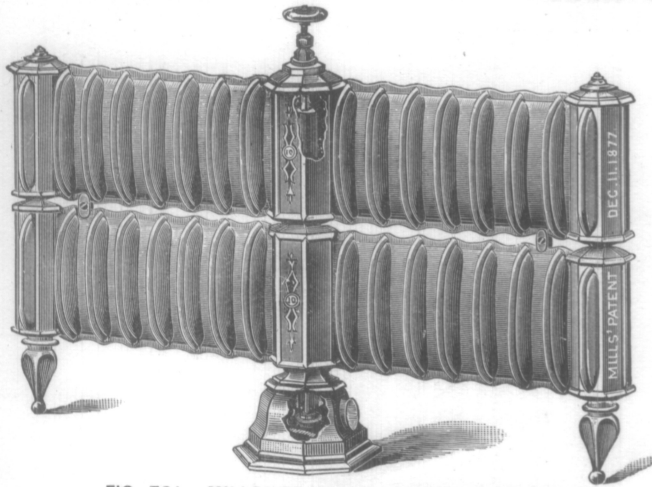


FIG. 731. MILLS' SECTIONAL DIRECT RADIATOR.

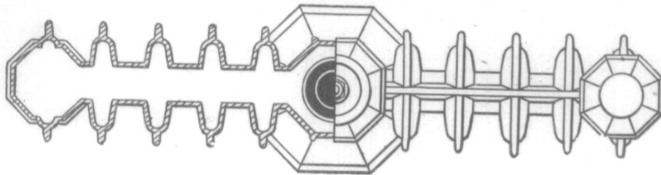


FIG. 731. SECTIONAL VIEW.

Heights are from floor to top of sections. Foot  $5\frac{1}{2}$ " high. Thickness of single radiator, 5"; double radiator, 12". Weights of all direct radiators average 7 lbs. per square foot.

PRICE, per square foot of surface, \_\_\_\_\_  
( Valve extra. )

This Sectional Radiator, of original design and simple construction, has a perfect circulation of the steam within and the air without, and this gives a heating effect not equalled by any other radiator.

It will be seen that with sections of different lengths, almost any size of radiator can be made.

The valve may be inside ( as shown ), or on the pipe, as usual. The foot is arranged for connection above or below the floor.

**MILLS' SECTIONAL DIRECT RADIATORS. FIG. 731.**

( FOR STEAM OR WATER CIRCULATION. )

No. of the Section.	1 Bar, 14" High. Surface, sq. ft.	2 Bars, 23" High. Surface, sq. ft.	3 Bars, 32" High. Surface, sq. ft.	4 Bars, 41" High. Surface, sq. ft.	Length over all.
7	8	14	21	28	2 ft. $4\frac{1}{2}$ in.
8	9	16	24	32	2 " 9 " "
9	10	18	27	36	3 " $1\frac{1}{2}$ " "
10	11	20	30	40	3 " 6 " "
11	12	22	33	44	3 " $10\frac{1}{2}$ " "
12	13	24	36	48	4 " 3 " "
13	14	26	39	52	4 " $7\frac{1}{2}$ " "
14	15	28	42	56	5 " " "
15	16	30	45	60	5 " $4\frac{1}{2}$ " "

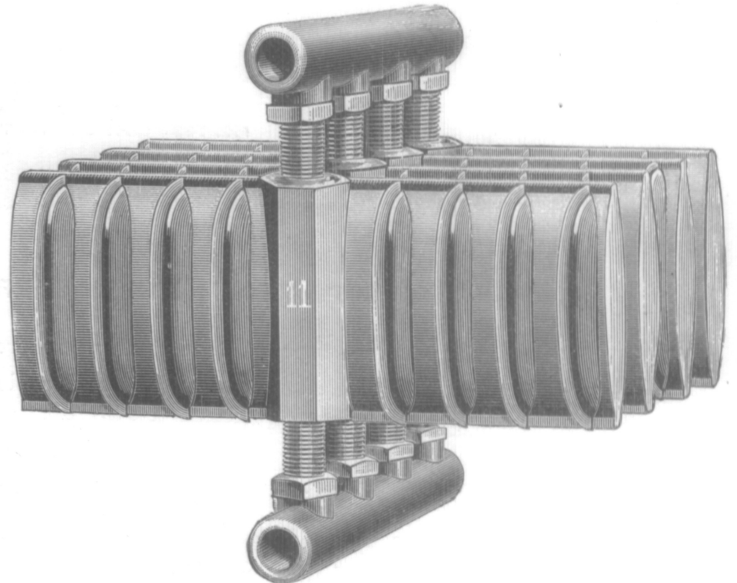


FIG. 732. MILLS' INDIRECT RADIATOR.

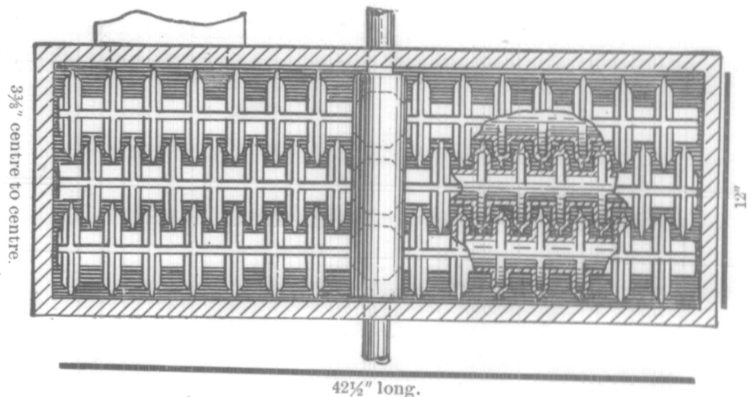


FIG. 732. SECTIONAL VIEW.

**MILLS' "INDIRECT" RADIATORS. FIG. 732.**

( FOR STEAM OR WATER CIRCULATION. )

This cut shows the arrangement and method of connecting by branch tees and lock-nipples.

The simplicity and effectiveness of this central and screwed connection must be apparent. The branch tee, with the nipples inserted, is first suspended by screw-hooks. The bars are then raised and the nipples caught; then the lower tee is connected, and all the nipples made up.

12 square feet per section.  
Weight, 80 lbs. per section in stacks.

PRICE, per square foot of surface, \_\_\_\_\_